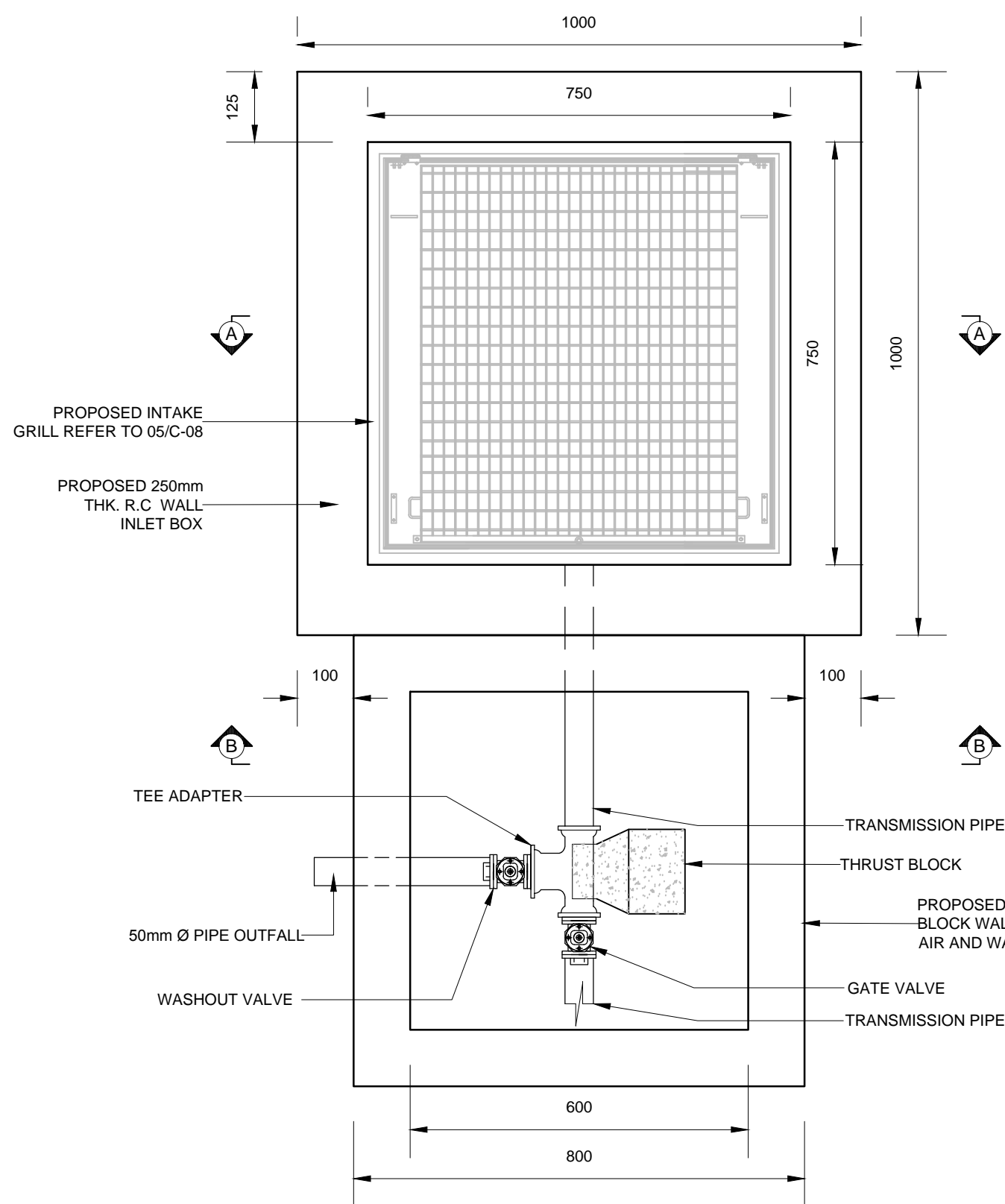


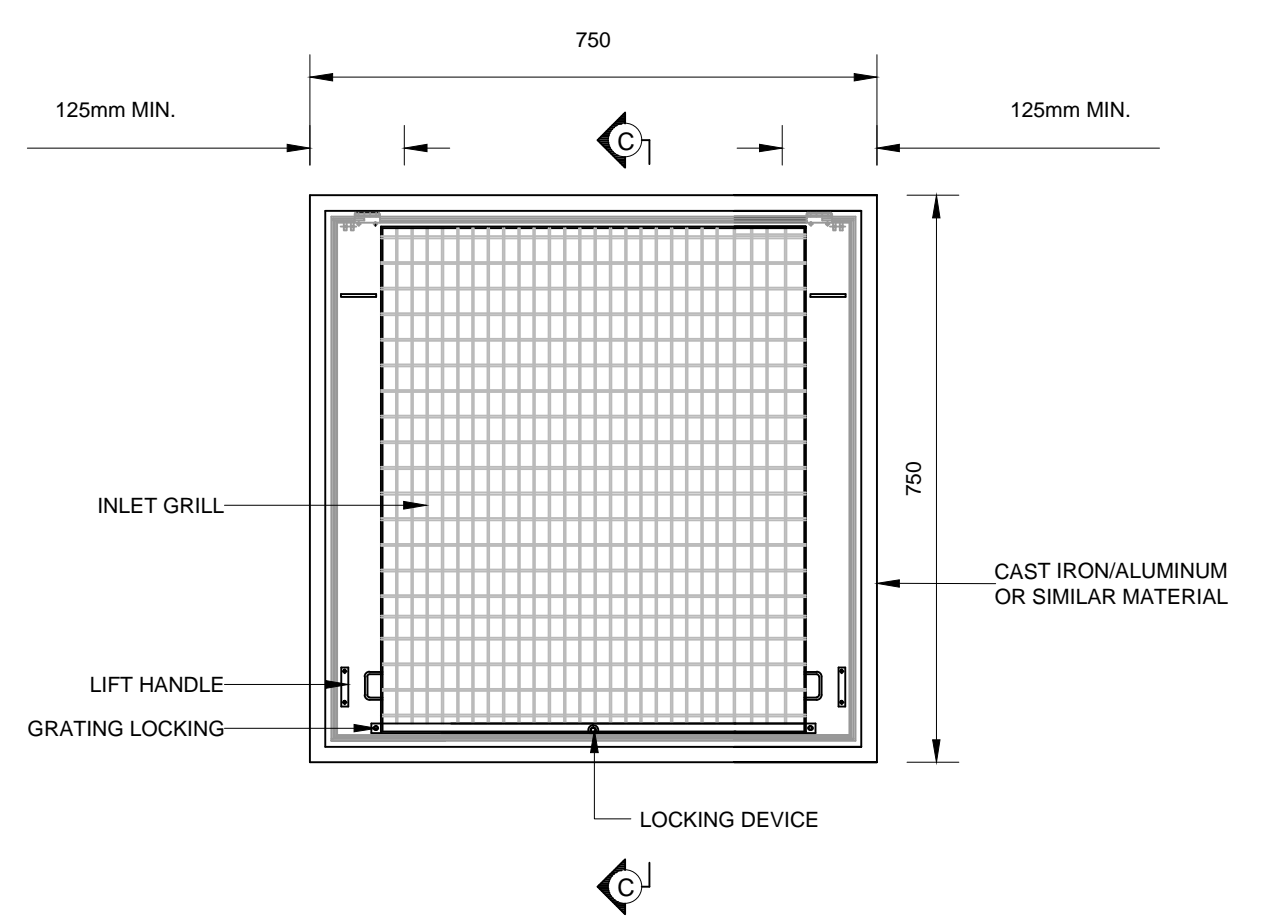
Re: Request for Clarification No.1

Further to the request for clarification submitted on December 30 2015, please see our response below.

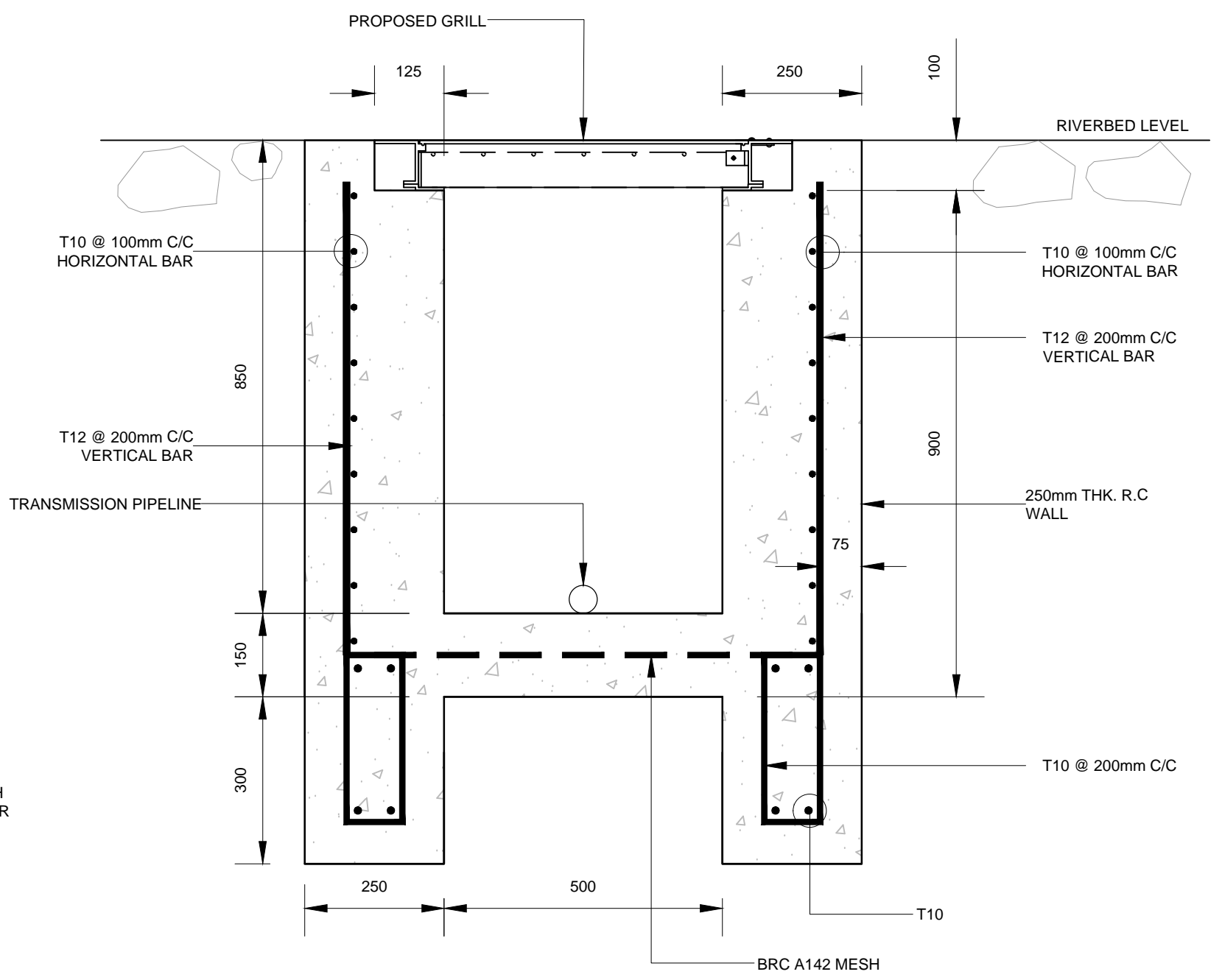
Comment	Response/Clarification
<p>1. Can more structural details be given as per Irrigation Intake: Water Intake Structure for Greenhouse;</p> <ul style="list-style-type: none">- If entire structure for water harvesting is in concrete- Thickness and height of walls if it is in concrete- More details for steel work for walls <p>If walls are not concrete, please provide details of structure.</p>	<ul style="list-style-type: none">• Please refer to attached details for Water Intake Structure.



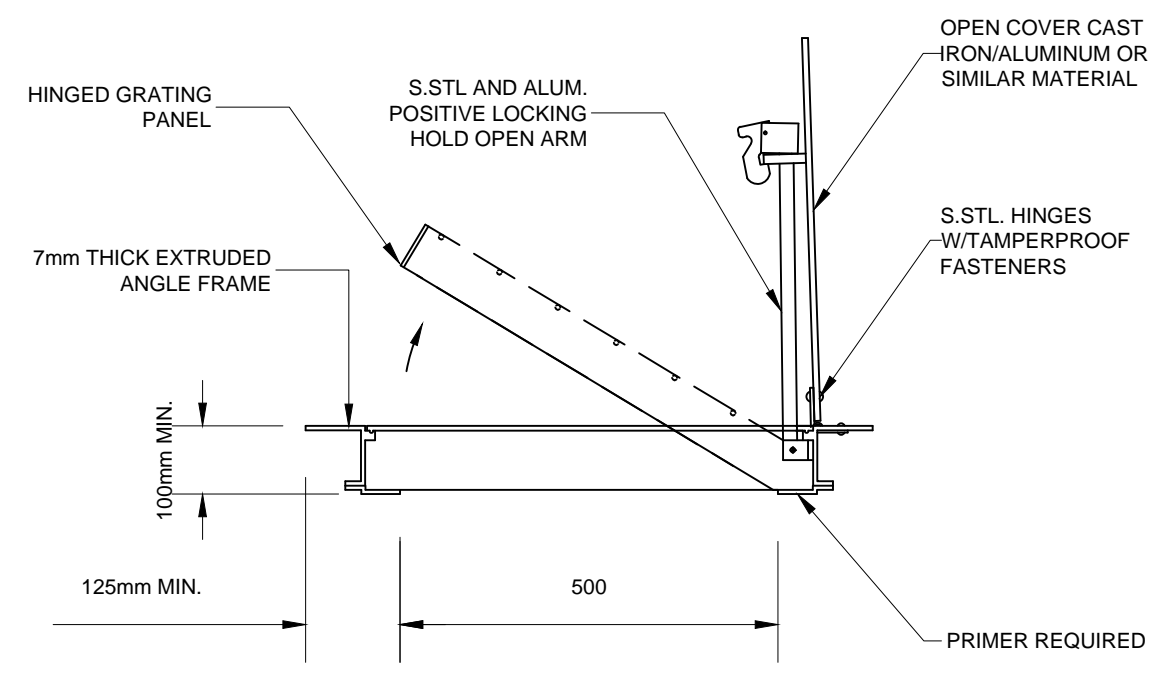
01 PROPOSED INTAKE BOX PLAN
C-08 SCALE 1:10



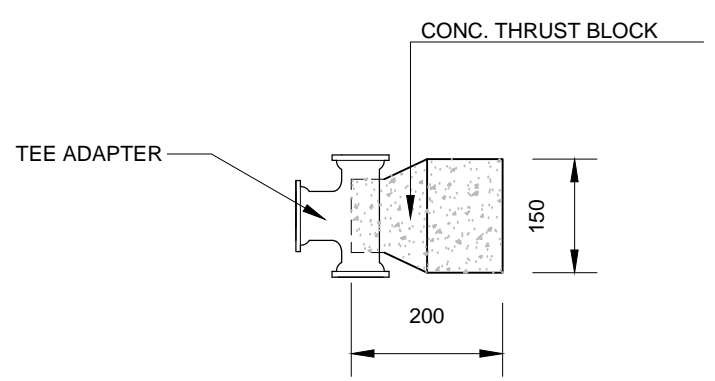
05 PROPOSED INTAKE GRILL
C-08 SCALE 1:10



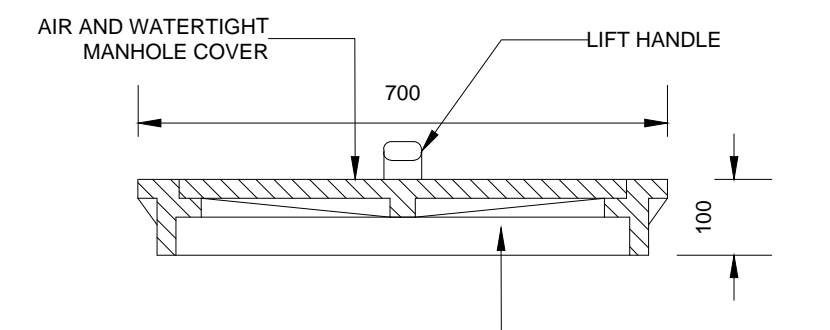
02 PROPOSED INLET BOX SECTION A-A
C-08 SCALE 1:10



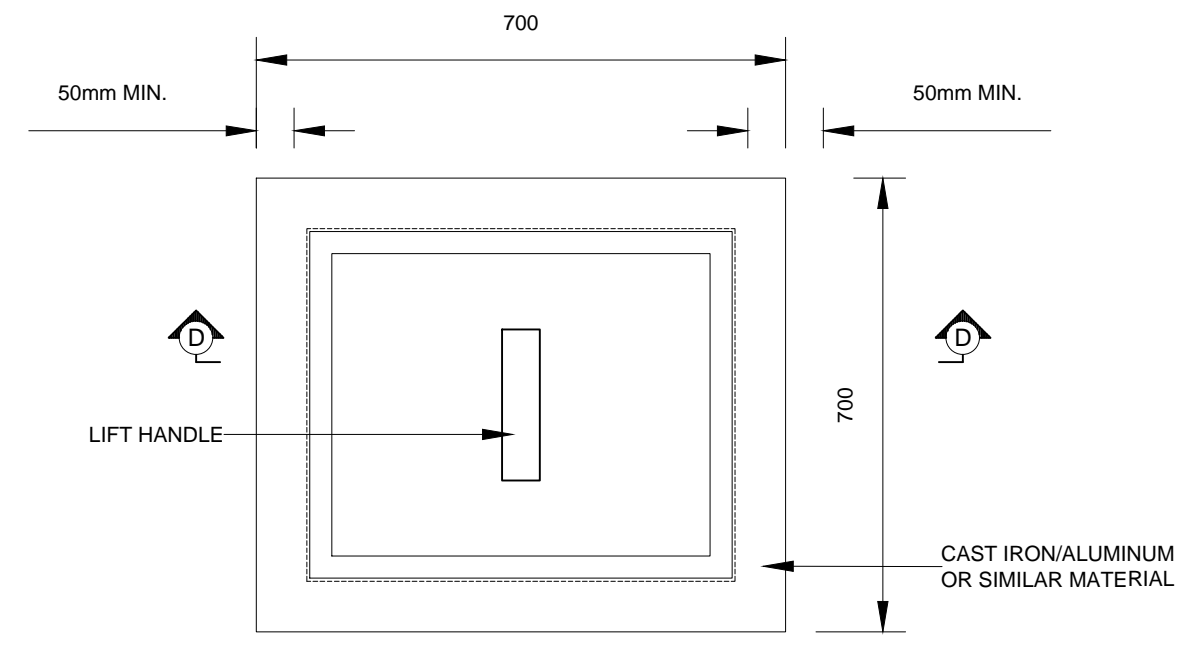
06 INTKAKE GRILL SECTION C-C
C-08 SCALE 1:10



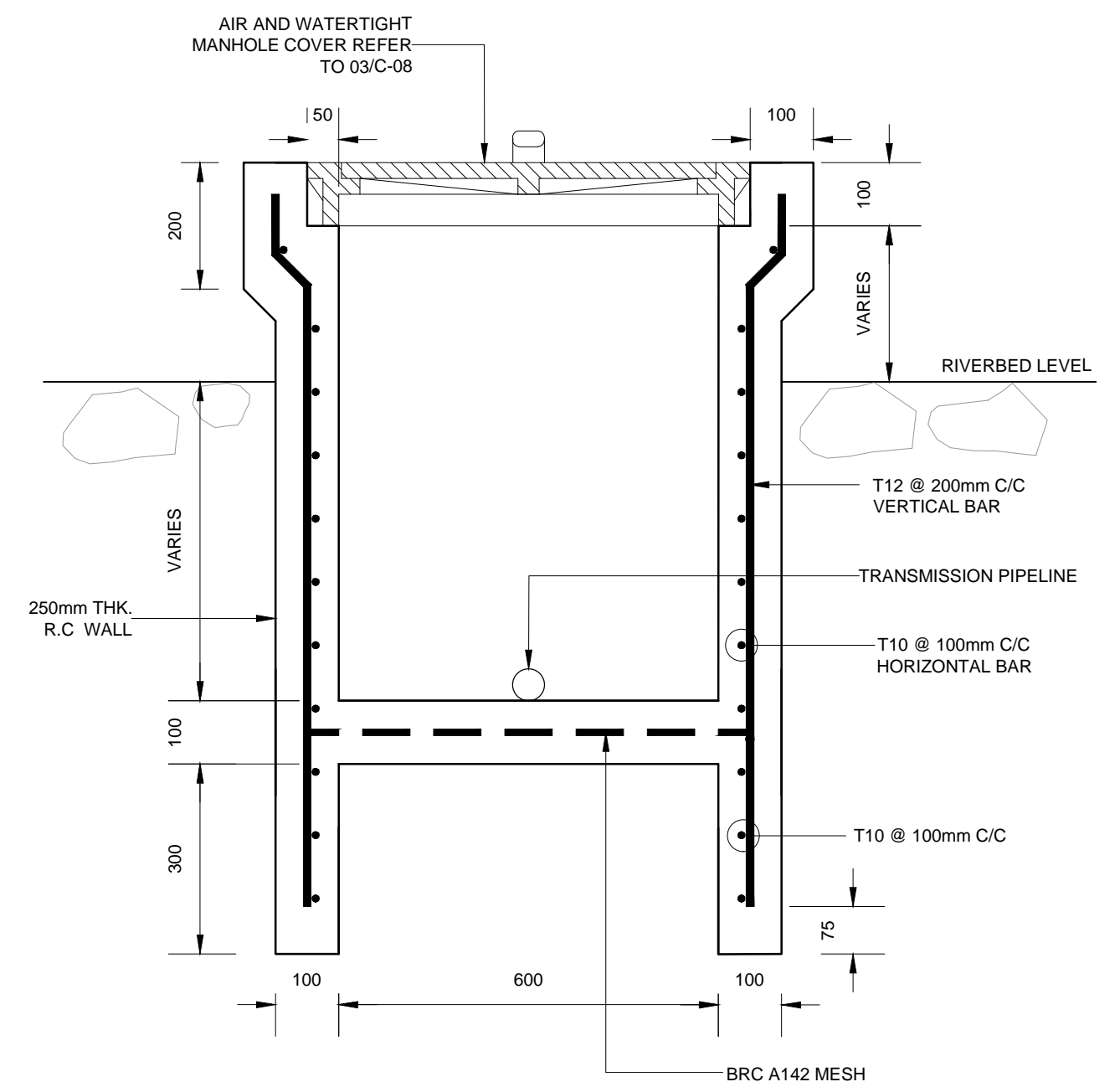
07 THRUST BLOCK DETAIL
C-08 SCALE 1:10



03 MANHOLE COVER SECTION D-D
C-08 SCALE 1:10



04 PROPOSED AIR AND WATERTIGHT MANHOLE COVER
C-08 SCALE 1:10



08 PROPOSED MANHOLE SECTION B-B
C-08 SCALE 1:10

REVISIONS					
ISSUE	DATE	NATURE OF CHANGE	ECN	BY	CHECKED

COPYRIGHT/NOTES:
 This drawing is copyright and should not be reproduced without prior permission.
 It is to be read in conjunction with all relevant design drawings and specification.
 Scaled dimensions should not be taken from this drawing. All dimensions must be checked on site prior to manufacture and commencement of works. Notify FDL CONSULT of any discrepancies or omissions observed without delay.

DESIGNED BY:	FDL CONSULT INC.	FDL
DRAWN BY:	DANIEL JACKSON	DJ
CHECKED:	GILBERT FONTENARD	GF
APPROVED:	GILBERT FONTENARD	GF
ISSUED DATE:	JANUARY 2016	
RECORD OF ISSUE		

CLIENT TITLE	GOVERNMENT OF ST.VINCENT AND THE GRENADINES
	MINISTRY OF AGRICULTURE, INDUSTRY, FORESTRY, FISHERIES AND RURAL TRANSFORMATION
JOB TITLE	DESIGN AND SUPERVISION OF THE CONSTRUCTION OF GREENHOUSE PARK FACILITIES
TYPE OF DRAWING	CONSTRUCTION DRAWINGS

		FDL Consult Inc. P.O. Box 1803 GOODLANDS CASTRIES ST. LUCIA Tel. (758) 457 6400 Fax (758) 453 7048 email: fdl@fdlconsultinc.com website: www.fdlconsultinc.com	
DRAWING TITLE	PROPOSED INTAKE AND DETAILS		
SCALE	SIZE	DRAWING NO	SHEET
AS SHOWN	A2	SLU -1510-S-027-GPF	C-08